

➤ PRODUCT SPECIFICATIONS
SV-CLASS

Now with
USB!

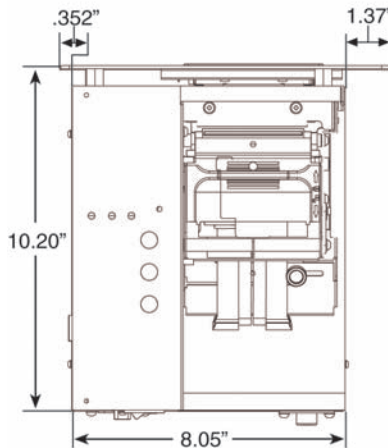
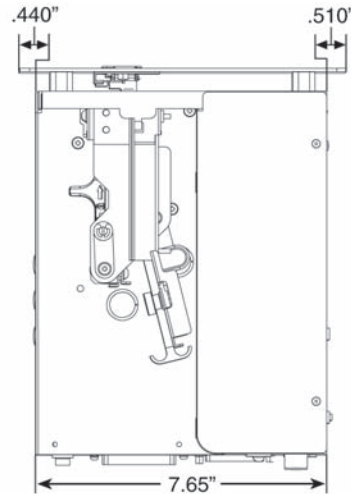


S-CLASS PRINTERS
 are ideal for applications such as:

- Stadium Events
- Parking Facilities
- Loyalty Programs
- Live Events
- Ski Resorts
- Coupons
- Theater Venues



▪ SV-3210 ▪ SV-3306



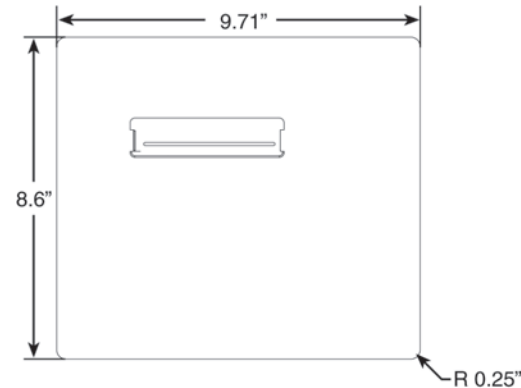
Need to meet a specific in-counter admissions application requirement?

Datamax S-Class products can deliver your ticket!

The Datamax S-Class family of ticket and tag printers has been upgraded with increased memory and processing power, bi-directional parallel port, USB port, and are now RoHS compliant.

Manufactured specifically for use in the ticketing industry as high-performance, value-priced products, the Datamax SV-3210 and SV-3306 redefine on-demand price and performance criteria for vertical mount admissions ticketing.

Material: 304 Stainless Steel, 13GA (.0897")



CORPORATE HEADQUARTERS
 4501 Parkway Commerce Blvd.
 Orlando, Florida USA 32808
 Phone (407) 578-8007
 Fax (407) 578-8377
 customercare@datamaxcorp.com

DATAMAX LABELS AND RIBBONS
 Phone (800) 321-2233
 Fax (800) 436-8920
 dmxmlmedia@datamaxcorp.com

DATAMAX LATIN AMERICA
 Phone (407) 523-5520
 Fax (407) 578-8377
 tdelgado@datamaxcorp.com

DATAMAX INTERNATIONAL
 Phone +44 1279 772200
 Fax +44 1279 424448
 rbyrne@datamaxcorp.com

DATAMAX ASIA-PACIFIC REPRESENTATIVE OFFICE
 Phone +65-6542-2611
 Fax +65-6542-3611
 datamax@pacific.net.sg

DATAMAX CHINA REPRESENTATIVE OFFICE
 Phone +86 21 64952882
 datamax_cn@china.com

www.datamaxcorp.com

PRODUCT SPECIFICATIONS

SV-CLASS

	SV-3210	SV-3306
PRINT SPEED	10 IPS	6 IPS
RESOLUTION	203 DPI	300 DPI
PRINT WIDTH	3.15" (80 mm)	3.2" (81.3mm)
MEMORY	4MB DRAM; 2MB Flash	4MB DRAM; 2MB Flash

PRINTER TYPE	Direct Thermal
BAR CODE MODULUS	5 mil to 55 mil (203 dpi) / 3.3 mil to 40 mil (300 dpi) *X" dimension in picket fence or ladder orientations
MEDIA WIDTH	1.9" – 3.25" (48.26mm – 82.55mm)
MEDIA TYPE	Fan-fold tickets or tags
MEDIA THICKNESS	0.0025" – 0.010" (.06mm – .254mm)
MEDIA SENSING	Adjustable reflective sensor for media with black stripe sensing (Automatic feed and top of ticket presentation)
PRINT LENGTH*	.25" – 99" (6mm – 2475mm)
LABEL BACKFEED	For use with optional cutter
CABINET	Metal construction
BAR CODES	Code 3 of 9, UPC-A, UPC-E, Interleaved 2 of 5, Code 128, EAN-8, EAN-13, HIBC, Codabar, Plessey, UPC 2 and 5 digit addendums, Code 93, Postnet, UCC/EAN Code 128, Telepen, UPS MaxiCode, FIM, PDF417, USD-8, Datamatrix, QR Code, Aztec, TLC 39, Micro PDF417
RESIDENT FONTS	Ten alphanumeric fonts from .035" (.89mm) to .64" (16.26mm) including OCR-A, OCR-B, CG Triumvirate™ smooth font from AGFA® consisting of ten bitmapped fonts from 6pt to 48pt.
DOWNLOADABLE FONT TYPES	TrueType, Agfa® Intellifont™, Bitmap
CHARACTER SET	Modified IBM® Code Page 850; includes characters for English and most European, Scandinavian and Spanish speaking countries. Scalable fonts can be used with over 50 resident character sets.
FONT EXPANSION/ROTATION	All fonts expandable vertically and horizontally up to 8x; fonts and graphics can be printed in four directions: 0°, 90°, 180° and 270°
GRAPHICS SUPPORTED	.PCX, .BMP and .IMG files
REVERSE FIELDS/MIRROR IMAGE	Any font or graphic field can be printed as a normal or reverse image
PROGRAMMING LANGUAGE	DPL™ (Datamax Programming Language™) and DTPL™ (Datamax Ticket Programming Language™, Ticket Industry Standard Emulation)
INTERFACES	USB, Centronics® IEEE-1284 Parallel port, RS232 at 1200 to 38,400 BPS
REAL TIME CLOCK	On-board real time clock maintains the printers hours of use, inches printed, and time and date.
WINDOWS® DRIVER	Used for creating label formats using virtually any Windows®-based program. Included on Datamax Accessories CD, or via our web site at www.datamaxcorp.com
POWER SOURCE	Auto-sensing 90 - 132 or 180 - 264 VAC @ 47-63 Hz; specify appropriate power cord when ordering
OPERATING TEMPERATURE	40°F to 95°F (4°C to 35°C)
DIMENSIONS	10" H x 8" W x 14" D (254mm H x 203mm W x 356mm D)
WEIGHT	18.8 lbs., 8.46Kg

DATAMAX SV-CLASS OPTIONS:

- CUTTER WITH TICKET PRESENT
- 4MB FLASH MEMORY EXPANSION
- ILPC FONTS FOR INTERNATIONAL USE
- TOP OF TICKET SESNOR

